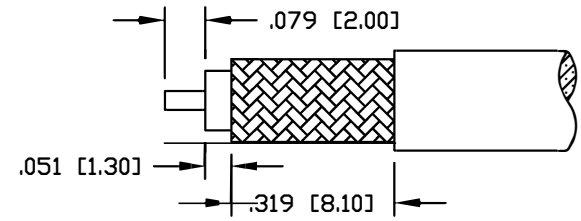
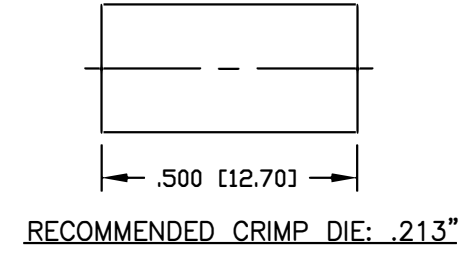
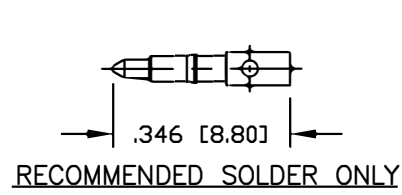
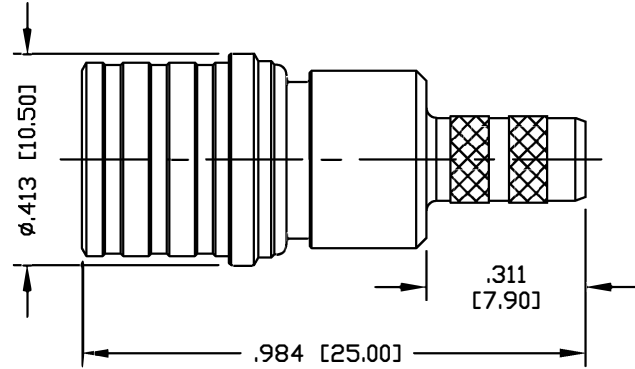


PART NO.		QT-ROA-5000-C		
REV	DESCRIPTION	DWN	DATE	APPROVED
A	UPGRADED CONNECTOR DESIGN, DWG FORMAT & SPECS	CZ	12/21/21	JDMc



RECOMMENDED STRIPING DIMENSIONS

SPECIFICATIONS:

IMPEDANCE: 50 Ohms
 FREQUENCY RANGE: 0-6 GHz
 INSULATION RESISTANCE: 5k MΩ min.
 TEMPERATURE RANGE: -65°C TO 165°C
 FOR RG-58, 58A, 58C, 141, 141A, BELDEN 8240, 9907, 8259, 8262, 9201, 9203, 9310, 9311 & COMM/SCOPE 0268 CABLES.

6	COUPLING NUT	1	BRASS	CuSnZn
5	FERRULE	1	BRASS	CuSnZn
4	GROUND RING	1	PHOSPHOR BRONZE	CuSnZn
3	PIN	1	BRASS	GOLD
2	INSULATOR	1	PTFE	NATURAL
1	BODY	1	BRASS	CuSnZn
#	DESCRIPTION	QTY	MATERIAL	FINISH

CUSTOMER OUTLINE DRAWING	
ALL DIMENSIONS ARE REFERENCE ONLY	
UNLESS OTHERWISE SPECIFIED: DIMENSIONS ARE IN INCHES AND [MILLIMETERS]	
DRAWN	12/21/20
C. ZUÑIGA	
CHECKED	
GRJ DRAWN	03/08/04
C. ZUÑIGA	

RoHS COMPLIANT

PROPRIETARY AND CONFIDENTIAL

THIS DRAWING CONTAINS INFORMATION PROPRIETARY TO RF INDUSTRIES. ANY UNAUTHORIZED USE OF THIS DRAWING IS EXPRESSLY PROHIBITED WITHOUT WRITTEN PERMISSION FROM RF INDUSTRIES. ANY VIOLATION IS PUNISHABLE UNDER U.S. COPYRIGHT LAWS.

LANshack
Sales@LANshack.com | 888-568-1230

QMA CRIMP PLUG

DWG # **QT-RQA-5000-C**

CABLE GROUP	CONTROL #	SCALE	FORMAT	SHEET	REVISION
C	000000	NTS	A	1 OF 1	A